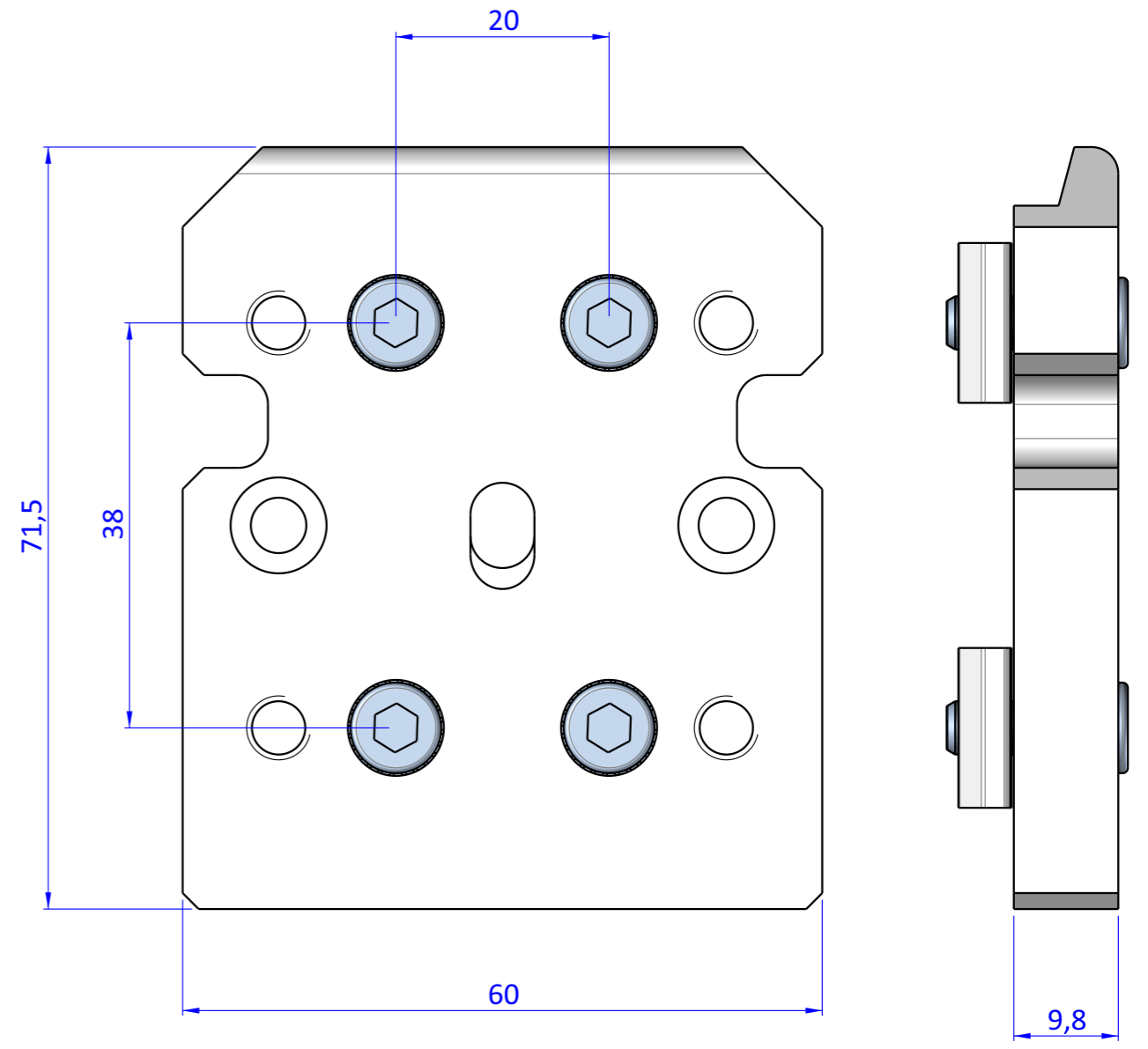
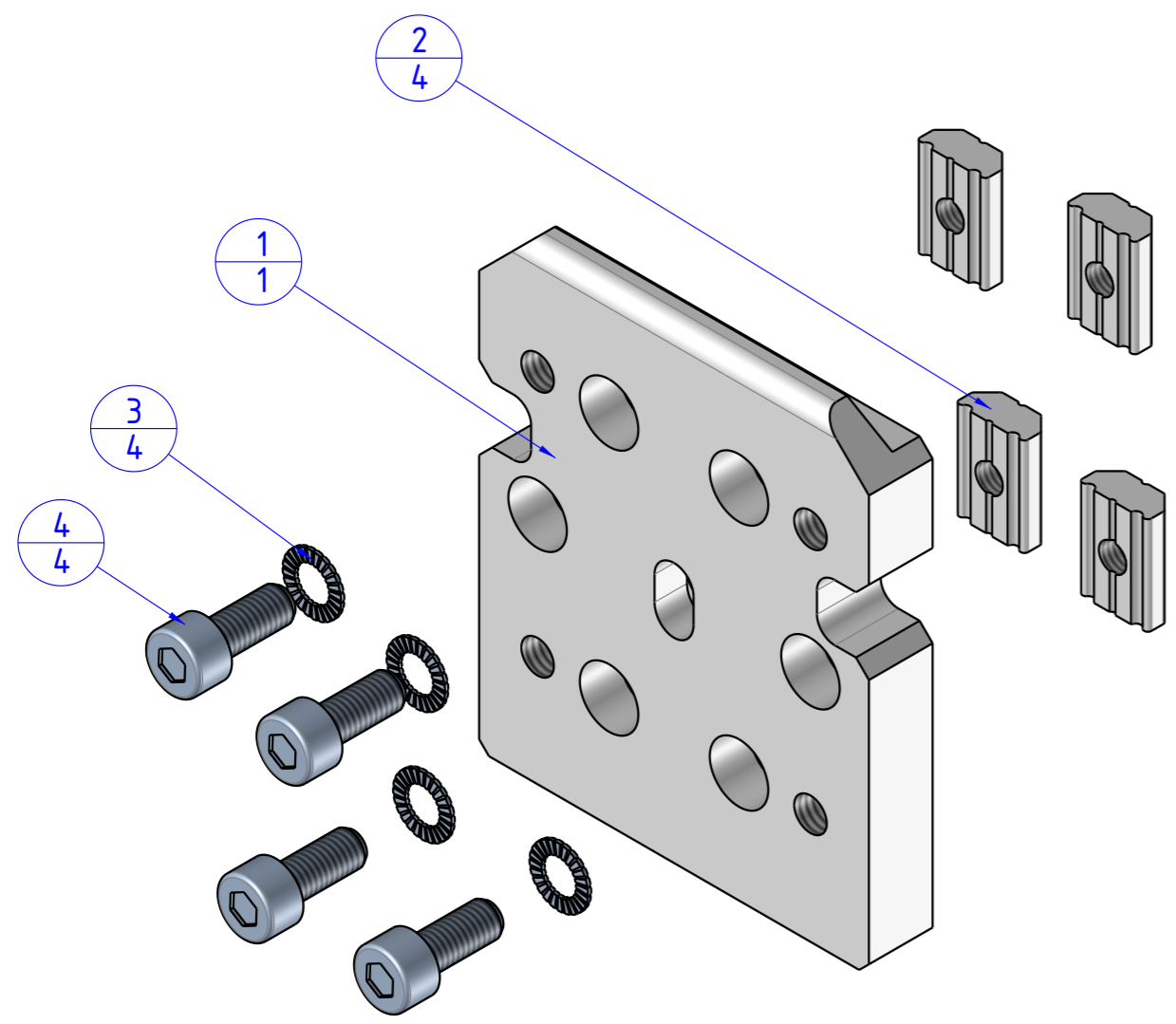

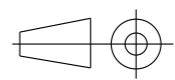


THE PROPERTY OF THE DRAWING IS ESTABLISHED BY LAW. IT IS FORBIDDEN TO PRODUCE OR SHOW IT TO THIRD PART - WITHOUT A WRITTEN AGREEMENT.

| Item | Name | Q.ty |
|------|--------------|------|
| 1 | CA.01.02.002 | 1 |
| 2 | CA.GWP.5U | 4 |
| 3 | R.5.SCH | 4 |
| 4 | V.TCE5x12 | 4 |



Format A3
UNI 936-76

| | | | | |
|---|--|---|--|-------------------------------|
|  FPS <small>FPSERVICES AUTOMATION</small> | |  | DESIGNED FROM FPS Automation | REVIEW A |
| GENERAL TOLERANCE UNI - ISO 2768 CLASSE f | | DESCRIPTION CA.01.02.002.X | | DATE 17/01/2022 |
| | | WEIGHT 0,125kg | | CODE CA.01.02.002.X |